

Intelligent pH/ORP Transmitters

PC-3110 / PC-3110-RS



Calibration Info	
1. Cal Time	2010/01/01 00 01
2. Mode	TECH-Three Points
3. Slope	-59.2 mV/pH @25.0°C
4. Asym.D	0 mV
5. Sensitivity	100.1%
6. Determination	1.0000
7. Return Manual	

Calibration Info			
Point	Buf.(pH)	Volt(mV)	Temp(°C)
1	4.01	177	25.0
2	7.00	-0	25.0
3	10.00	-178	25.0

Multi-Cal.	
1. Mode	pH
2. Temp.MTC	Setting: 25.0°C
3. Re11	Hi.SP 10.00pH, DB 0 10pH
4. Re12	Lo.SP 4.00pH, DB 0 10pH
5. C1n	OFF
6. pH.mA	4-20mA, 2.00pH, 12.00pH
7. Temp.mA	4-20mA, 0.0°C, 100.0°C

Overview	
1. Mode	pH
2. Temp.MTC	Setting: 25.0°C
3. Re11	Hi.SP 10.00pH, DB 0 10pH
4. Re12	Lo.SP 4.00pH, DB 0 10pH
5. C1n	OFF
6. pH.mA	4-20mA, 2.00pH, 12.00pH
7. Temp.mA	4-20mA, 0.0°C, 100.0°C

Applications:

- Industrial Process
- Chemical Process
- Water & Wastewater Treatment
- Biochemistry
- Scrubber
- Recycling
- Environmental protection

Features:

- 96 x 96mm Intelligent pH/ORP Transmitter
- Waterproof and dustproof design
- Solution-ground design eliminating interference of ground potential
- Large LCM with auto-sense backlight and contrast setting function
- User-friendly operation with text and graphic illustration, clear signs and easy to understand
- Multi-Cal calibration, Tech. and NIST buffer automatic recognition
- Max. 3-point calibration and the calibration line calculated by linear regression, the last calibration data displayable
- With password and multi-key design-security protection enhancement
- Automatic temperature compensation, NTC30K or PT 1000 selectable
- Two sets of isolated current output at DC 0/4~20mA, max. load 500Ω
- Hi/Lo, Hi/Hi, Lo/Lo selectable two limited contact outputs with programmable set-points and hysteresis
- Gradually continuous sample measurements average function to enhance stability
- Automatic sensor clean function with programmable time interval
- LED indicated alarm or washing status signal
- IP 65 (NEMA 4X), CE approved

PC-3110-RS / PC-3110-RS-P Only:

- Measuring value can be selected for figure or chart display
- Trace mode can display historical measured value curve from 3-minute to 4-week program
- Equipped with logbook function
- Max. 5-point calibration, with customer definition buffer setting and calibration curve, which can be displayed
- Equipped with one analog output and RS-485 interface
- Field correction function
- Product adjustment function for field correction

PC-3110-P / PC-3110-RS-P Only:

- Equipped with PID control function to maximize the stability of process



Intelligent pH/ORP Transmitters

PC-3110/PC-3110-RS

Specifications:

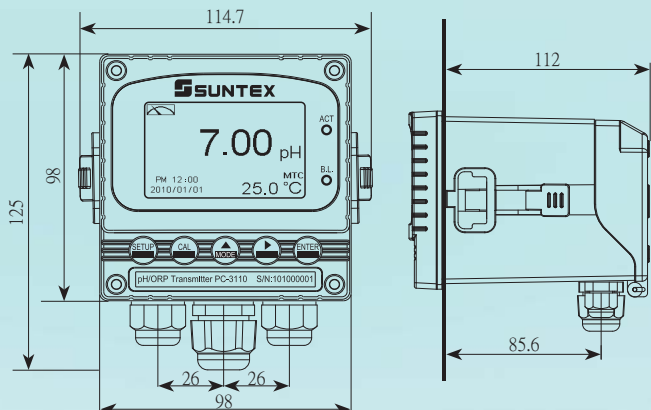
Model		PC-3110	PC-3110-P	PC-3110-RS	PC-3110-RS-P
Measuring modes		pH/ORP/Temp.			
Ranges	pH	-2.00~16.00 pH			
	ORP	-1999~1999 mV			
	Temp.	-30.0~130.0°C			
Resolution	pH	0.01 pH			
	ORP	1 mV			
	Temp.	0.1°C			
Accuracy	pH	± 0.01 pH ± 1 digit			
	ORP	± 0.1% ± 1 digit			
	Temp.	± 0.2°C ± 1 digit			
Repeatability		±0.05pH			
Temperature compensation		Automatic with NTC 30KΩ or PT-1000			
		Manual adjustment			
Ambient Temperature		0~50°C			
Input Impedance		>10 ¹² Ω			
Display		Large LCM with auto-sense backlight and contrast function			
		Text mode		Text, Chart or Trace mode	
Analog output 1		Isolated DC 0/4~20mA corresponding to pH/ORP, max. load 500Ω			
Analog output 2		Isolated DC 0/4~20mA corresponding to Temp., max. load 500Ω		-	
Serial Interface		-		RS-485(MODBUS RTU or ASCII)	
Logbook		-		50 event records	
Calibration mode		Any, Tech & NIST, Three Points		Any, Tech, NIST & Custom definition buffer setting table, up to Five Points	
Setting	Contact	240VAC, 0.5A max. (recommend)			
	Activate	Hi/Lo, Hi/Hi, Lo/Lo selectable two limited programmable, ON/OFF			
Wash	Contact	240VAC, 0.5A max. (recommend)			
	Time	ON:0~99min.59sec. OFF:0~999 hours59min.			
Voltage output		DC ± 12V, 1W max.			
Power Supply		100~240VAC±10%, 7W max. , 50/60 Hz			
Installation		Wall or pipe or panel mounting			
Dimensions		96 mm x 96 mm x 132 mm (H x W x D), 1/4 DIN			
Cut off Dimensions		93 mm x 93 mm (H x W)			
Weight		0.5 kg			
Protection		IP 65 (NEMA 4X)			

*PID Control Function: P, PI, PD, PID control

*PID Control Output: Pulse Length, Pulse Frequency, Analogout
 What's included? 2 Panel Mounting clips, pH 4, pH 7 buffer solutions, Plastic L shaped electrode holder support, Precision driver for wiring

Optional Accessories:

- | | |
|---------------------------------|---|
| 1. pH electrode | 9. Junction box |
| 2. ORP electrode | 10. Flow-through chamber |
| 3. PT-1000 ATC probe | 11. Immersion electrode holder 1M, 2M and 3M |
| 4. NTC 30KΩ ATC probe | 12. Industrial electrode protection housing/fitting |
| 5. Field indication transmitter | 13. Extension cable |
| 6. pH buffer solutions | 14. Sensor cleaning kit |
| 7. ORP buffer solutions | 15. Sun shield |
| 8. Cleaning solutions | 16. Stainless holder support base |



SUNTEX INSTRUMENTS CO., LTD.

Web site: www.suntext.com.tw E-mail: suntext@ms1.hinet.net

13F., No.31, Lane 169, Kangning St., Xizhi Dist., New Taipei City 22180, Taiwan (R.O.C.)

Tel: 886-2-2695-9688 Fax: 886-2-2695-9693

Taichung Branch: 886-4-2319-7996 Kaohsiung Branch: 886-7-334-4103